

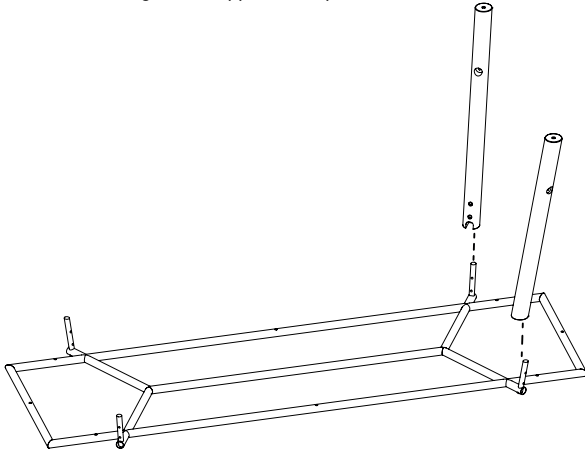
IDEO TABLE FRAME | OAK LEGS

ASSEMBLY INSTRUCTIONS

1.00

INSERTION THE FIRST TWO LEGS

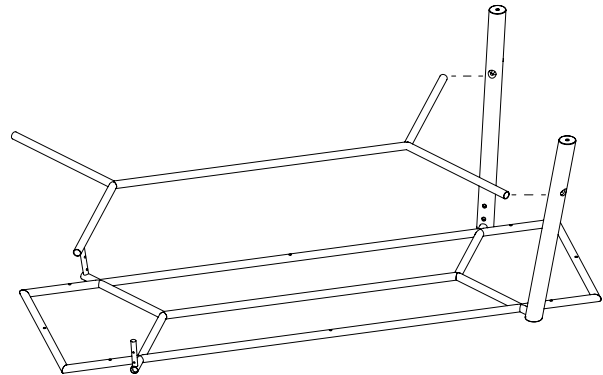
01 - Insert two legs in the upper frame pins.



2.00

INSERTION OF THE REINFORCEMENT CROSS

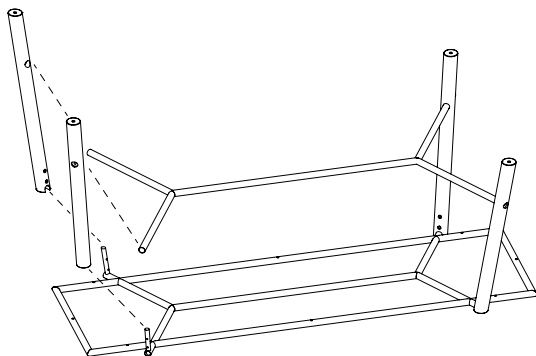
01 - Insert lower frame into the leg holes.



3.00

INSERTION OF THE LAST TWO LEGS WITH REINFORCEMENT CROSS

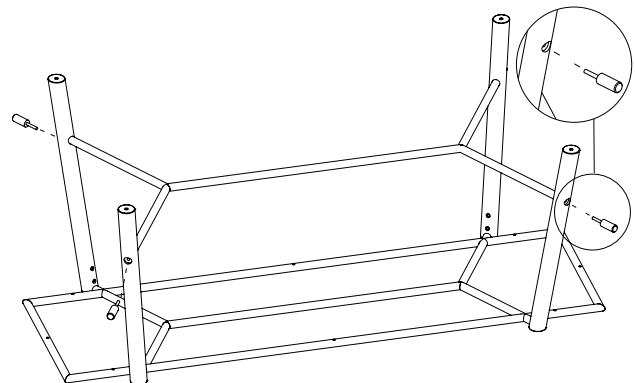
01 - Insert the other two legs into the frame pins, and at the same time insert the lower frame inside the leg holes.



4.00

ASSEMBLY OF THE REINFORCEMENT CROSS

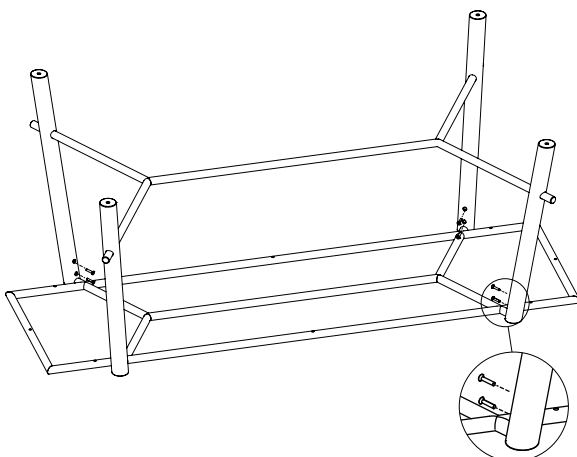
01 - Screw by hand the 4 threaded connectors and secure the legs.



5.00

ASSEMBLY OF THE LEGS WITH UPPER FRAME

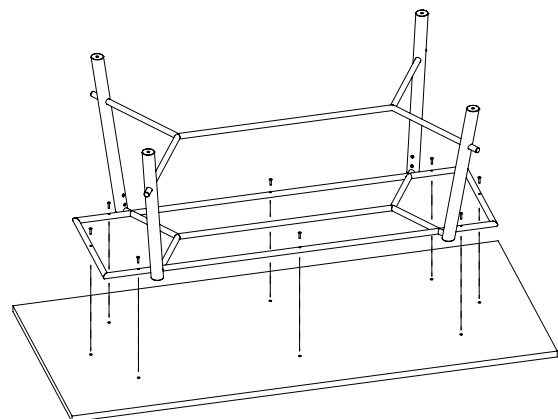
01 - Fix the screws VTCB630 to secure the legs to the upper frame.



6.00

ASSEMBLY OF THE TABLE TOP

01 - Fix the top to the upper frame with screws VTBE1635N, pay attention to put something under the top to avoid scratches.



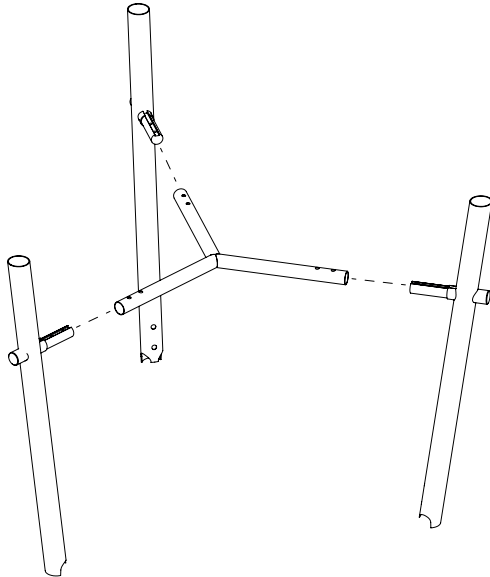
IDEO TABLE FRAME | STEEL LEGS

ASSEMBLY INSTRUCTIONS

1.00

INSERTION OF THE LEGS ON THE LOWER CROSSPIECE

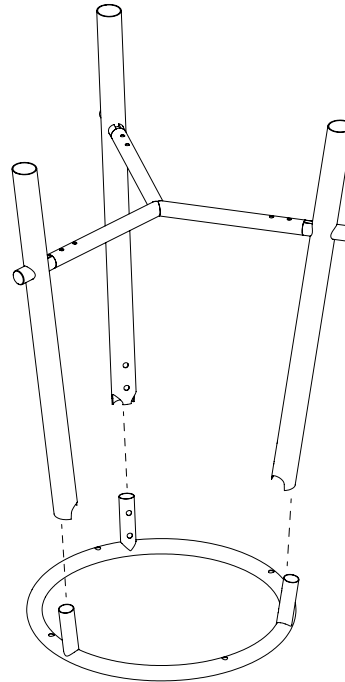
01 - Insert legs in the bottom cross frame, pay attention to align the holes.



2.00

INSERTION OF THE LEGS ON THE UPPER FRAME

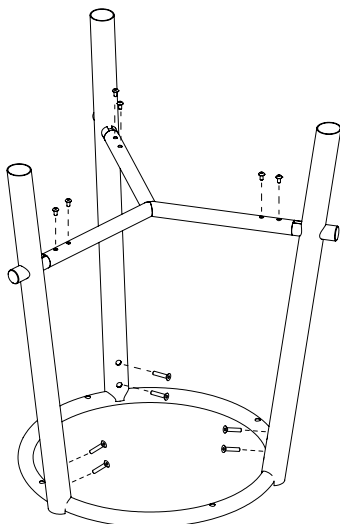
01 - Insertion of the legs on the upper frame.



3.00

FIXING THE STRUCTURE

01 - Fix the cross frame to the legs with screws VTSPEI512Z, fix legs to the upper frame with screws VTSPEI612N.



4.00

FIXING OF THE TABLE TOP

01 - Fix the top to the upper frame with screws, pay attention to put something under the top to avoid scratches.

